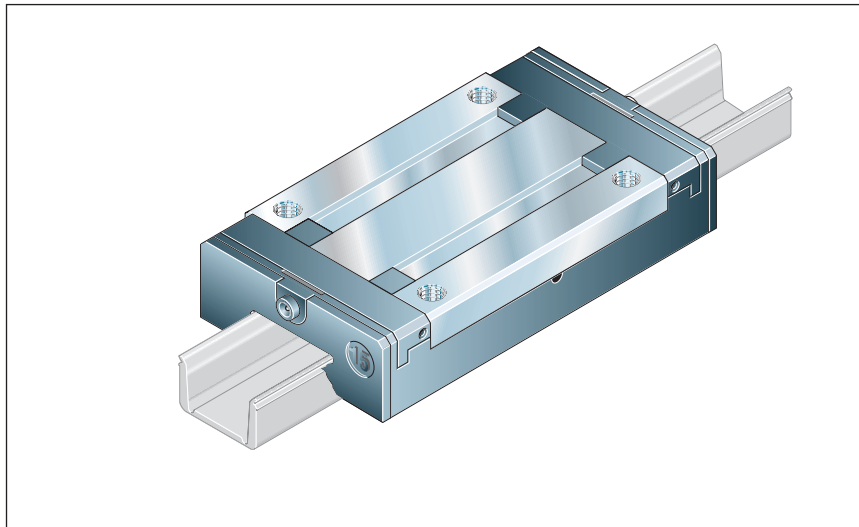


SLS – slimline, long, standard height, R0444

All steel parts of the runner block are made of corrosion-resistant, martensitic steel.

The runner blocks are delivered mounted on arbors.



Part numbers for runner blocks

Standard seals: low-friction seals.

Part number: R0444 ... **01**

(see table)

Special versions:

Runner blocks are also available:

- with N seals
(excellent wiping action)
Sizes 9/M3, 12 and 15 have additional longitudinal seals for full sealing.
Part number: R0444 ... **00**
(otherwise as per table)
- without basic lubrication for individual lubrication.
 - sizes 9/M3, 12 and 15 additionally with N seals and longitudinal seals.
Part number: R0444 ... **40**
(otherwise as per table)
 - with low-friction seals
Part number: R0444 ... **41**
(otherwise as per table)

Size	Accuracy class	Part numbers for runner blocks	
		Clearance	Preload
7	P	–	R0444 712 01
	H	R0444 793 01	R0444 713 01
	N	R0444 794 01	–
9/M3	P	–	R0444 812 01
	H	R0444 893 01	R0444 813 01
	N	R0444 894 01	–
12	P	–	R0444 212 01
	H	R0444 293 01	R0444 213 01
	N	R0444 294 01	–
15	P	–	R0444 512 01
	H	R0444 593 01	R0444 513 01
	N	R0444 594 01	–

Take frictional drag of the respective seals into account.

See "Technical Data", section "Friction and seals".

Note on dynamic load capacities and moments (see table)

Determination of the dynamic load capacities and moments is based on a travel life of 100,000 m.

Often only 50,000 m are actually stipulated.

For comparison:

Multiply values C , M_t and M_L from the table by 1.26.

Ordering example 1:

Runner block size 12, accuracy class P, preloaded, standard seals

Ordering data: **R0444 212 01**

Ordering example 2:

Runner block size 7, accuracy class H, clearance, N seals

Ordering data: **R0444 793 00**

Ordering example 3:

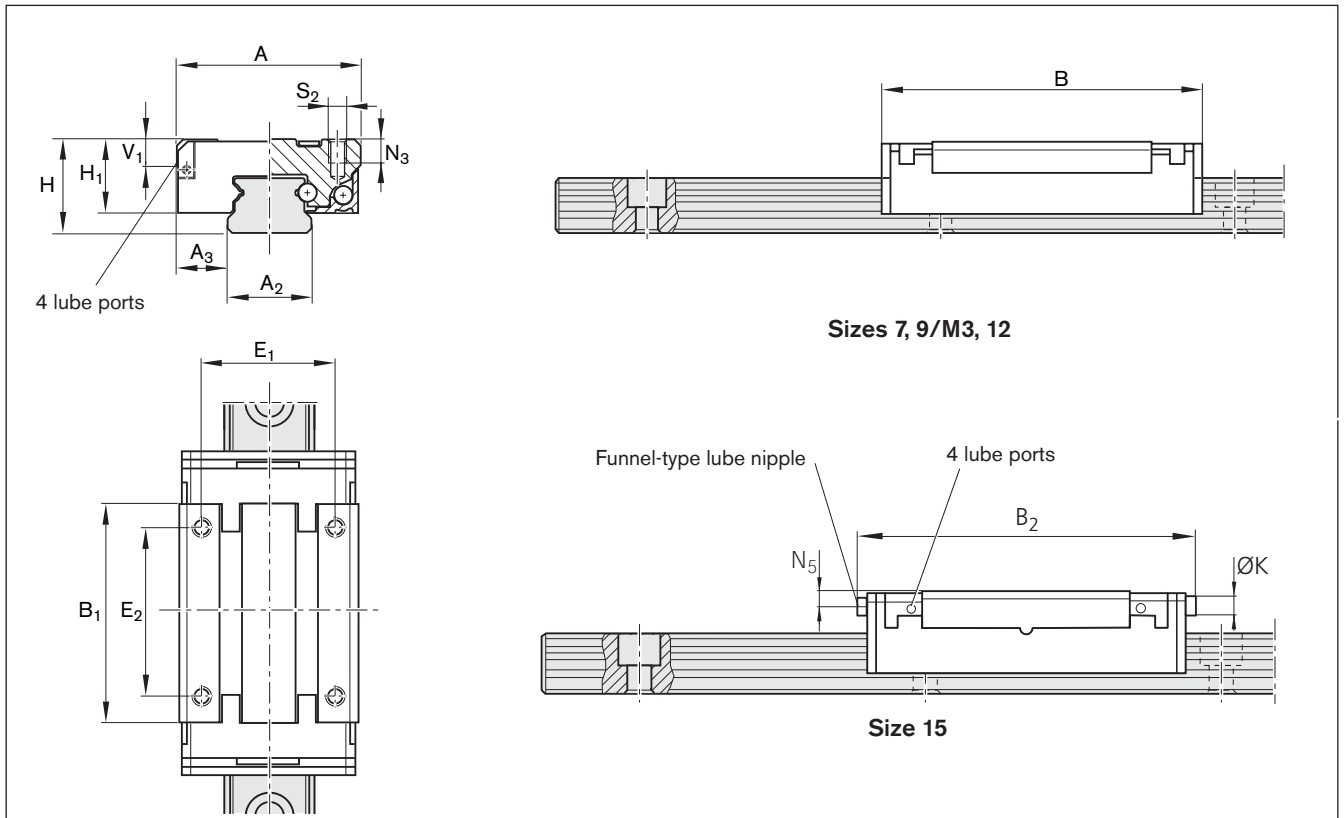
Runner block size 15, accuracy class H, preloaded, N seals and longitudinal seals, no basic lubrication

Ordering data: **R0444 513 40**

Ordering example 4:

Runner block size 9/M3, accuracy class N, clearance, standard seals, no basic lubrication

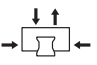


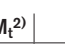

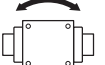
Ordering data: **R0444 894 41**



Size	Dimensions (mm)																
	A	A ₂	A ₃	B	B ₁	B ₂	H	H ₁ ¹⁾	H ₁ ²⁾	V ₁	E ₁	E ₂	K	N ₃	N ₅	S ₂	
7	17	7	5.0	33.0	24.1	–	8	6.5	–	2.0	12	13	–	2.5	–	M2	
9/M3	20	9	5.5	41.4	31.3	–	10	8.0	8.65	2.8	15	16	–	3.0	–	M3	
12	27	12	7.5	47.5	34.5	–	13	10.0	10.65	3.3	20	20	–	3.5	–	M3	
15	32	15	8.5	60.8	45.0	63.8	16	12.0	12.65	4.7	25	25	4	4.0	2.1	M3	

1) Without longitudinal seal

2) With longitudinal seal

Size	Weight Runner block (g)	Load capacities (N)		Load moments (Nm)			
		 C ¹⁾	 C ₀ ¹⁾	 M _t ²⁾	 M _{t0} ²⁾	 M _t ²⁾	 M _{t0} ²⁾
7	14	1220	2340	4.5	8.5	4.3	8.3
9/M3	26	1570	3150	7.2	14.5	7.0	14.0
12	51	3240	5630	19.3	33.5	16.8	29.2
15	94	5940	10170	44.0	75.3	39.2	67.1

1) Calculated values conforming to DIN 636, Part 2

2) Calculated values (based on C, C₀)