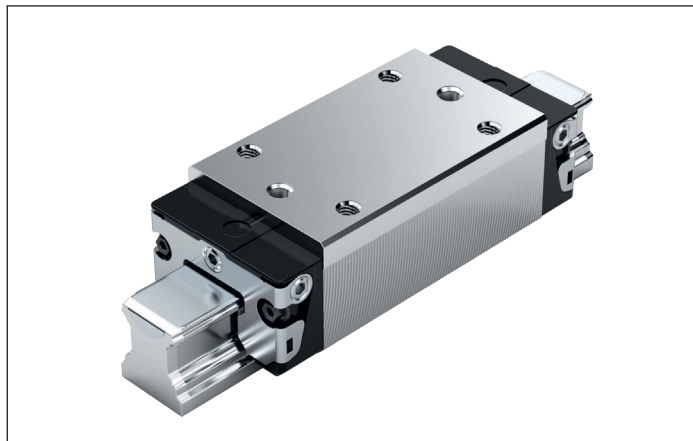


SLH – Slimline, long, high R1624 ... 2.

**Dynamic characteristics**

Travel speed: $v_{\max} = 5 \text{ m/s}$
 Acceleration: $a_{\max} = 500 \text{ m/s}^2$
 (If $F_{\text{comb}} > 2.8 \cdot F_{\text{pr}}$: $a_{\max} = 50 \text{ m/s}^2$)

Note on lubrication

► Pre-lubricated

Note

Can be used on all SNS/SNO ball guide rails. Ball runner blocks of size 55 can be found in chapter “Heavy-duty ball runner block BSHP made of steel” after this chapter.

Options and material numbers

Size	Ball runner blocks with size	Preload class				Accuracy class				Seals on ball runner blocks					
		C0	C1	C2	C3	N	H	P	XP	without ball chain			with ball chain		
										SS	LS ¹⁾	DS	SS	LS ¹⁾	DS
25	R1624 2	9				4	3	–	–	20	21	–	22	23	–
			1			4	3	2	8	20	21	2Z	22	23	2Y
				2		–	3	2	8	20	21	2Z	22	23	2Y
					3	–	–	–	8	20	21	2Z	22	23	2Y
30	R1624 7	9				4	3	–	–	20	21	–	22	23	–
			1			4	3	2	8	20	21	2Z	22	23	2Y
				2		–	3	2	8	20	21	2Z	22	23	2Y
					3	–	–	–	8	20	21	2Z	22	23	2Y
35	R1624 3	9				4	3	–	–	20	21	–	22	23	–
			1			4	3	2	8	20	21	2Z	22	23	2Y
				2		–	3	2	8	20	21	2Z	22	23	2Y
					3	–	–	–	8	20	21	2Z	22	23	2Y
45	R1624 4	9				4	3	–	–	20	–	–	22	–	–
			1			4	3	2	8	20	–	2Z	22	–	2Y
				2		–	3	2	8	20	–	2Z	22	–	2Y
					3	–	–	–	8	20	–	2Z	22	–	2Y
E.g.:	R16247		1			3				20					

1) Only for accuracy classes N and H and for XP in preload class C1.

Order example

Options:

- Ball runner blocks SLH
- Size 30
- Preload class C1
- Accuracy class H
- With standard seal, without ball chain

Material number:

R1624 713 20

Preload classes

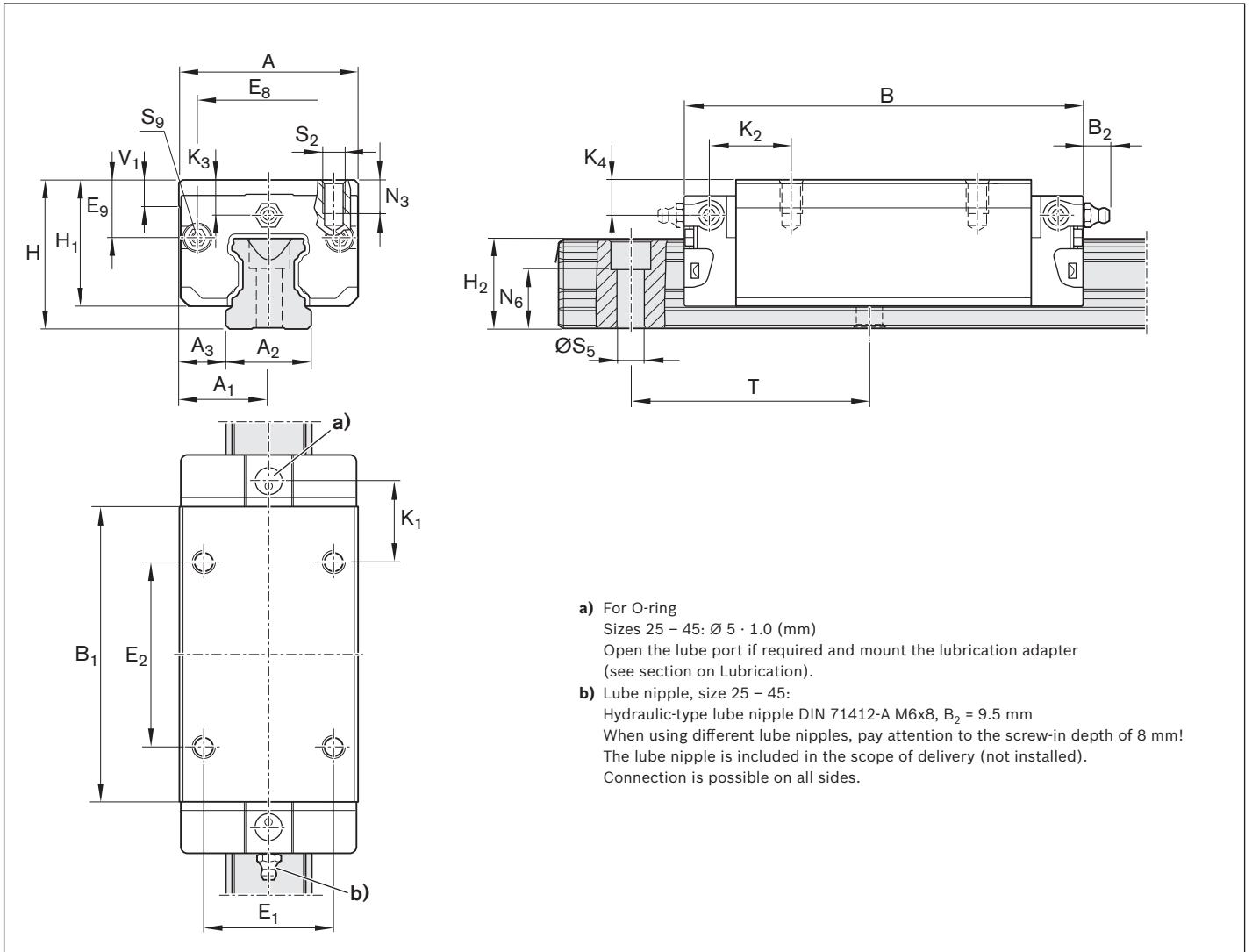
C0 = Without preload (clearance)
 C1 = Moderate preload
 C2 = Average preload
 C3 = High preload

Seals

SS = Standard seal
 LS = Low-friction seal
 DS = Double-lip seal

Key

gray numbers
 = No preferred variant / combination
 (partially longer delivery times)




Size	Dimensions (mm)																		
	A	A ₁	A ₂	A ₃	B ^{+0.5}	B ₁	E ₁	E ₂	E ₈	E ₉	H	H ₁	H ₂ ¹⁾	H ₂ ²⁾	K ₁	K ₂	K ₃	K ₄	
25	48	24	23	12.5	107.9	79.5	35	50	38.30	15.50	40	33.90	24.45	24.25	20.80	21.95	9.50	9.50	
30	60	30	28	16.0	119.7	89.4	40	60	48.40	17.60	45	38.35	28.55	28.35	21.00	22.70	9.05	9.05	
35	70	35	34	18.0	139.0	105.5	50	72	58.00	24.35	55	47.40	32.15	31.85	23.75	25.25	13.90	13.90	
45	86	43	45	20.5	174.1	133.5	60	80	69.80	30.90	70	60.30	40.15	39.85	35.50	37.50	18.20	18.20	

Size	Dimensions (mm)								Mass (kg)	Load capacities ³⁾ (N)		Load moments ³⁾ (Nm)			
	N ₃	N ₆ ^{+0.5}	S ₂	S ₅	S ₉	T	V ₁	m		C	C ₀	M _t	M _{t0}	M _L	M _{L0}
25	9.0	15.2	M6	7.0	M3x5	60	7.5	0.80	37300	52500	530	750	530	740	
30	12.0	17.0	M8	9.0	M3x5	80	7.0	1.20	46000	66900	800	1160	740	1080	
35	13.0	20.5	M8	9.0	M3x5	80	8.0	2.10	66700	116000	1440	2500	1290	2240	
45	18.0	23.5	M10	14.0	M4x7	105	10.0	4.10	111000	190000	3010	5120	2730	4660	

1) Dimension H₂ with cover strip

2) Dimension H₂ without cover strip

3) Load ratings and load moments for ball runner block **without** ball chain. Load ratings and load moments for ball runner block **with** ball chain  12

Determination of the dynamic load capacities and load moments is based on a stroke travel of 100,000 m according to DIN ISO 14728-1. Often only 50,000 m are actually stipulated. For comparison: Multiply the values **C**, **M_t** and **M_L** by 1.26 according to the table.