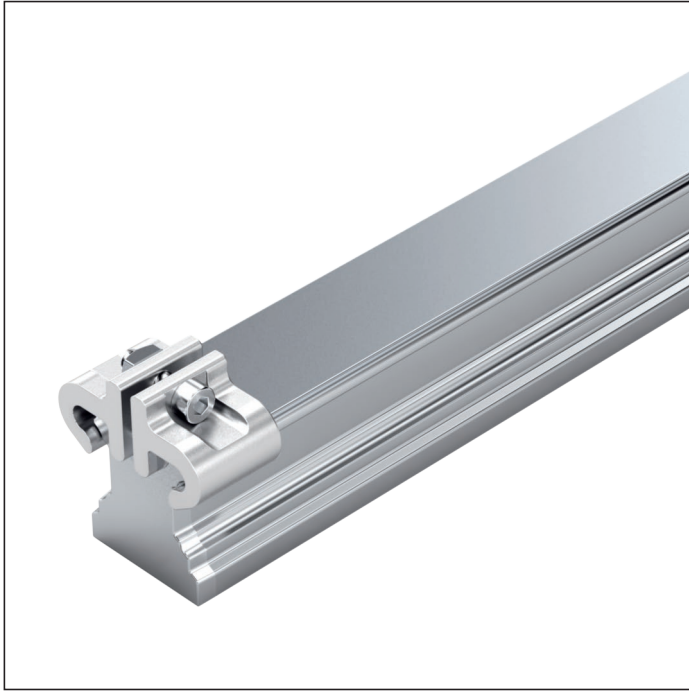


## SNS/SNO with cover strip and strip clamps



### R1605 .3. .. / R1605 .B. ..

**For mounting from above, with cover strip made of corrosion-resistant spring steel as per DIN EN 10088 and aluminium strip clamps (without threaded holes on end faces)**

#### Notes

- ▶ Secure the cover strip!
- ▶ Strip clamps included in scope of delivery.
- ▶ Observe the instruction for mounting!  
Please request the “Mounting instructions for ball rail systems” and “Mounting instructions for cover strip”.
- ▶ Composite ball guide rail also available.

**Further ball guide rails SNS/SNO and accessories available.**

- ▶ Cover strip, protective caps (see accessories for ball guide rails)

**Ball guide rails SNO R1605 .B. .. with smooth base area for mounting surfaces from cast mineral parts  
In sizes 25-45 and available in accuracy class P and SP.**

#### Options and material numbers

Size	Ball guide rail with size	Accuracy class					Number of partial sections ., Rail length L (mm), ....		Spacing T (mm)	Recommended rail length in accordance with formula $L = n_B \cdot T - 4 \text{ mm}$	
		N	H	P	SP	UP	One-piece	Composite		Maximum number of holes $n_B$	
15	R1605 13	4	3	2	1	9	31, ....	3, ....	60	64	
20	R1605 83	4	3	2	1	9	31, ....	3, ....	60	64	
25	R1605 23	4	3	2	1	9	31, ....	3, ....	60	64	
30	R1605 73	4	3	2	1	9	31, ....	3, ....	80	48	
35	R1605 33	4	3	2	1	9	61, ....	6, ....	80	48	
45	R1605 43	4	3	2	1	9	61, ....	6, ....	105	36	
55	R1605 53	4	3	2	1	9	61, ....	6, ....	120	32	
65	R1605 63	4	3	2	1	9	61, ....	6, ....	150	25	
<b>E.g.:</b>	R1605 73	3					31, 1676				

#### Ordering example 1 (to $L_{max}$ )

Options:

- ▶ Ball guide rail SNS
- ▶ Size 30
- ▶ Accuracy class H
- ▶ One-piece
- ▶ Rail length  
L = 1676 mm

Material number:

R1605 733 31, 1676 mm

#### Ordering example 2 (above $L_{max}$ )

Options:

- ▶ Ball guide rail SNS
- ▶ Size 30
- ▶ Accuracy class H
- ▶ **2 partial sections**
- ▶ Rail length  
L = 5116 mm

Material number:

R1605 733 32, 5116 mm

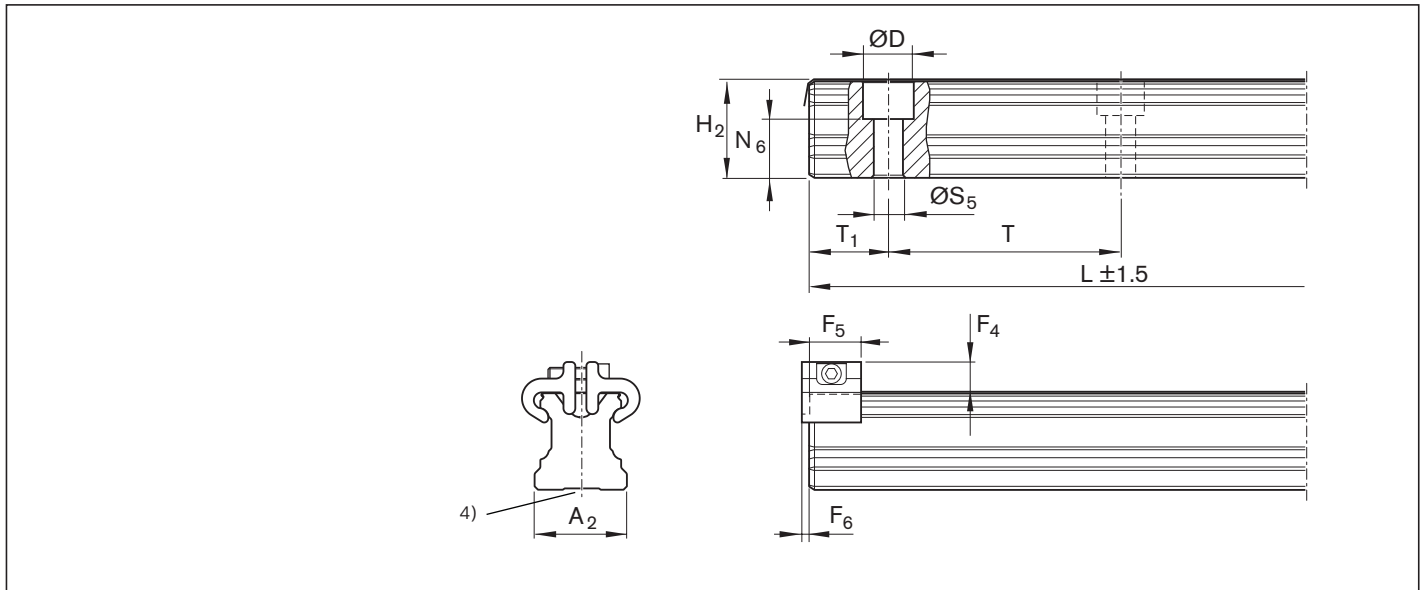
#### Ordering example 3 (up to $L_{max}$ , with smooth surface)

Options:

- ▶ Ball guide rail SNO
- ▶ Size 30
- ▶ Accuracy class H
- ▶ One-piece
- ▶ Rail length  
L = 1676 mm

Material number:

R1605 7B3 31, 1676 mm



Size	Dimensions (mm)														Mass m (kg/m)
	A <sub>2</sub>	D	F <sub>4</sub> <sup>2)</sup>	F <sub>5</sub>	F <sub>6</sub>	H <sub>2</sub> <sup>1)</sup>	L <sub>max</sub>	N <sub>6</sub> <sup>±0.5</sup>	S <sub>5</sub>	T	T <sub>1 min</sub>	T <sub>1S</sub> <sup>3)</sup>	T <sub>1 max</sub>		
<b>15</b>	15	7.4	7.3	12	2.0	16.30	3 836	10.3	4.5	60	12	28.0	50	1.4	
<b>20</b>	20	9.4	7.1	12	2.0	20.75	5 816	13.2	6.0	60	13	28.0	50	2.4	
<b>25</b>	23	11.0	8.2	13	2.0	24.45	5 816	15.2	7.0	60	13	28.0	50	3.2	
<b>30</b>	28	15.0	8.7	13	2.0	28.55	5 836	17.0	9.0	80	16	38.0	68	5.0	
<b>35</b>	34	15.0	11.7	16	2.2	32.15	5 836	20.5	9.0	80	16	38.0	68	6.8	
<b>45</b>	45	20.0	12.5	18	2.2	40.15	5 771	23.5	14.0	105	18	50.5	89	10.5	
<b>55</b>	53	24.0	14.0	17	3.2	48.15	3 836	29.0	16.0	120	20	58.0	102	16.2	
<b>65</b>	63	26.0	15.0	17	3.2	60.15	3 746	38.5	18.0	150	21	73.0	130	22.4	

- 1) Dimension H<sub>2</sub> with cover strip  
 Size 15 with cover strip 0.1 mm  
 Size 20 – 30 with cover strip 0.2 mm  
 Size 35 – 65 with cover strip 0.3 mm
- 2) Dimension H<sub>4</sub> with cover strip
- 3) Preferred dimension T<sub>1S</sub> with tolerances ± 0.75 recommended.
- 4) Ball guide rails SNO with smooth base surface (without base groove).

## SNS/SNO with cover strip and protective caps



### R1605 .6. .. / R1605 .D. ..

**For mounting from above, with cover strip made of corrosion-resistant spring steel as per DIN EN 10088 and screw-down plastic protective caps (with threaded mounting holes on end faces)**

#### Notes

- ▶ Secure the cover strip!
- ▶ Protective caps with screws and washers are included in the scope of delivery.
- ▶ Observe the instruction for mounting!  
Please request the “Mounting instructions for ball rail systems” and “Mounting instructions for cover strip”.
- ▶ Composite ball guide rail also available.

#### Further ball guide rails SNS/SNO and accessories

- ▶ Cover strip, protective caps (see accessories for ball guide rails)

**Ball guide rails SNO R1605 .D. .. with smooth base area for mounting surfaces from cast mineral parts  
In sizes 25-45 and available in accuracy class P and SP.**

### Options and material numbers

Size	Ball guide rail with size	Accuracy class					Number of partial sections, Rail length L (mm), ....		Spacing T (mm)	Recommended rail length in accordance with formula $L = n_B \cdot T - 4 \text{ mm}$	
		N	H	P	SP	UP	One-piece	Composite			Maximum number of holes $n_B$
15	R1605 16	4	3	2	1	9	31, ....	3., ....	60	64	
20	R1605 86	4	3	2	1	9	31, ....	3., ....	60	64	
25	R1605 26	4	3	2	1	9	31, ....	3., ....	60	64	
30	R1605 76	4	3	2	1	9	31, ....	3., ....	80	48	
35	R1605 36	4	3	2	1	9	61, ....	6., ....	80	48	
45	R1605 46	4	3	2	1	9	61, ....	6., ....	105	36	
55	R1605 56	4	3	2	1	9	61, ....	6., ....	120	32	
65	R1605 66	4	3	2	1	9	61, ....	6., ....	150	25	
E.g.:	R1605 76	3					31, 1676				

#### Ordering example 1 (to $L_{max}$ )

Options:

- ▶ Ball guide rail SNS
- ▶ Size 30
- ▶ Accuracy class H
- ▶ One-piece
- ▶ Rail length  
L = 1676 mm

Material number:

R1605 763 31, 1676 mm

#### Ordering example 2 (above $L_{max}$ )

Options:

- ▶ Ball guide rail SNS
- ▶ Size 30
- ▶ Accuracy class H
- ▶ **2 partial sections**
- ▶ Rail length  
L = 5116 mm

Material number:

R1605 763 32, 5116 mm

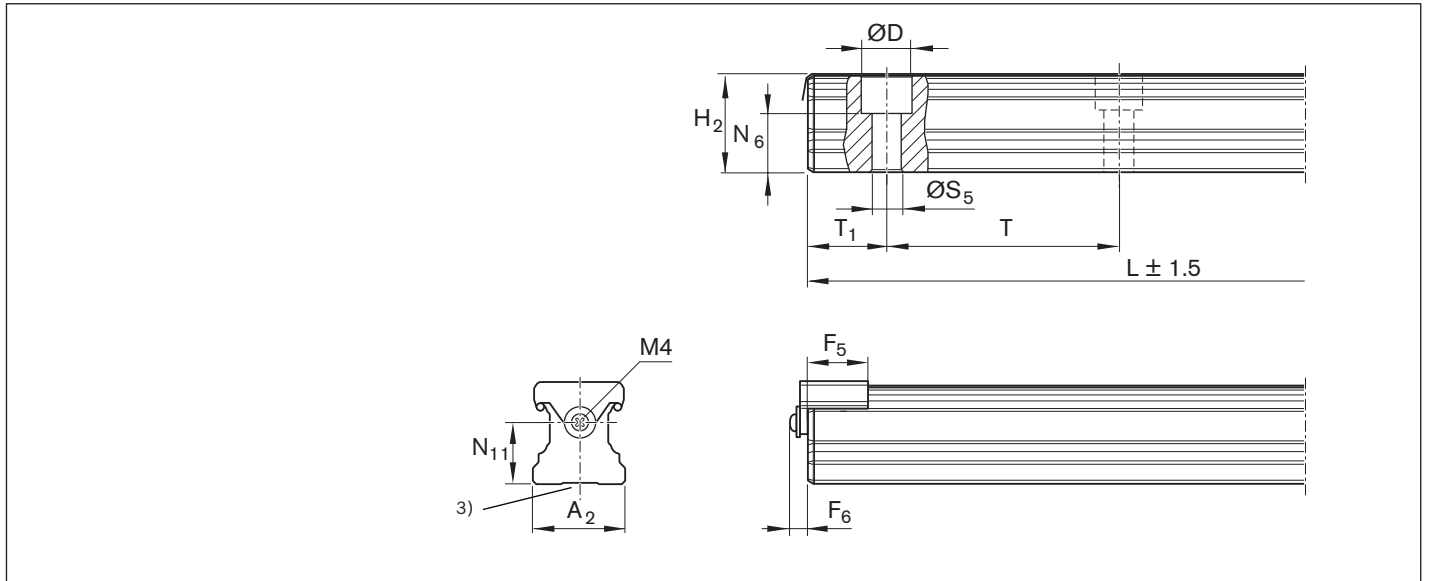
#### Ordering example 3 (up to $L_{max}$ , with smooth surface)

Options:

- ▶ Ball guide rail SNO
- ▶ Size 30
- ▶ Accuracy class H
- ▶ One-piece
- ▶ Rail length  
L = 1676 mm

Material number:

R1605 7D3 31, 1676 mm



Size	Dimensions (mm)														Mass m (kg/m)
	A <sub>2</sub>	D	F <sub>5</sub>	F <sub>6</sub>	H <sub>2</sub> <sup>1)</sup>	L <sub>max</sub>	N <sub>6</sub> <sup>±0.5</sup>	N <sub>11</sub>	S <sub>5</sub>	T	T <sub>1 min</sub> <sup>2)</sup>	T <sub>1S</sub> <sup>4)</sup>	T <sub>1 max</sub>		
<b>15</b>	15	7.4	14.0	6.5	16.30	3 836	10.3	9.8	4.5	60	12	28.0	50	1.4	
<b>20</b>	20	9.4	14.0	6.5	20.75	5 816	13.2	13.0	6.0	60	13	28.0	50	2.4	
<b>25</b>	23	11.0	15.2	6.5	24.45	5 816	15.2	15.0	7.0	60	13	28.0	50	3.2	
<b>30</b>	28	15.0	15.2	7.0	28.55	5 836	17.0	18.0	9.0	80	16	38.0	68	5.0	
<b>35</b>	34	15.0	18.0	7.0	32.15	5 836	20.5	22.0	9.0	80	16	38.0	68	6.8	
<b>45</b>	45	20.0	20.0	7.0	40.15	5 771	23.5	30.0	14.0	105	18	50.5	89	10.5	
<b>55</b>	53	24.0	20.0	7.0	48.15	3 836	29.0	30.0	16.0	120	20	58.0	102	16.2	
<b>65</b>	63	26.0	20.0	7.0	60.15	3 746	38.5	40.0	18.0	150	21	73.0	130	22.4	

- 1) Dimension H<sub>2</sub> with cover strip  
 Size 15 with cover strip 0.1 mm  
 Size 20 – 30 with cover strip 0.2 mm  
 Size 35 – 65 with cover strip 0.3 mm
- 2) For end spaces below T<sub>1 min</sub>, no threaded holes in end faces possible. Secure the cover strip.
- 3) Ball guide rails SNO with smooth base surface (without base groove).
- 4) Preferred dimension T<sub>1S</sub> with tolerances ± 0.75 recommended.

## SNS/SNO with plastic mounting hole plugs



### R1605 .0. .. / R1605 .C. ..

**For mounting from above with plastic mounting hole plugs**

#### Notes

- ▶ Plastic mounting hole plugs included in scope of supply.
- ▶ Observe the instruction for mounting!  
Please request the “Mounting instructions for ball rail systems.”
- ▶ Composite ball guide rail also available.

#### Further ball guide rails SNS and accessories

- ▶ Corrosion resistant ball guide rails Resist NR, Resist CR
- ▶ Mounting hole plugs made of plastic, see accessories for ball guide rails

**Ball guide rails SNO R1605 .C. .. with smooth base area for mounting surfaces from cast mineral parts**

**In sizes 25-45 and available in accuracy class P and SP.**

### Options and material numbers

Size	Ball guide rail with size	Accuracy class					Number of partial sections .. Rail length L (mm), ....		Spacing T (mm)	Recommended rail length in accordance with formula $L = n_B \cdot T - 4 \text{ mm}$	
		N	H	P	SP	UP	One-piece	Composite			Maximum number of holes $n_B$
15	R1605 10	4	3	2	1	9	31, ....	3., ....	60	64	
20	R1605 80	4	3	2	1	9	31, ....	3., ....	60	64	
25	R1605 20	4	3	2	1	9	31, ....	3., ....	60	64	
30	R1605 70	4	3	2	1	9	31, ....	3., ....	80	48	
35	R1605 30	4	3	2	1	9	31, ....	3., ....	80	48	
45	R1605 40	4	3	2	1	9	31, ....	3., ....	105	36	
55	R1605 50	4	3	2	1	9	31, ....	3., ....	120	32	
65	R1605 60	4	3	2	1	9	31, ....	3., ....	150	25	
<b>E.g.:</b>	R1605 70	3					31, 1676				

#### Ordering example 1 (to $L_{max}$ )

Options:

- ▶ Ball guide rail SNS
- ▶ Size 30
- ▶ Accuracy class H
- ▶ One-piece
- ▶ Rail length

L = 1676 mm

Material number:

R1605 703 31, 1676 mm

#### Ordering example 2 (above $L_{max}$ )

Options:

- ▶ Ball guide rail SNS
- ▶ Size 30
- ▶ Accuracy class H
- ▶ **2 partial sections**
- ▶ Rail length

L = 5116 mm

Material number:

R1605 703 32, 5116 mm

#### Ordering example 3

(up to  $L_{max}$ , with smooth surface)

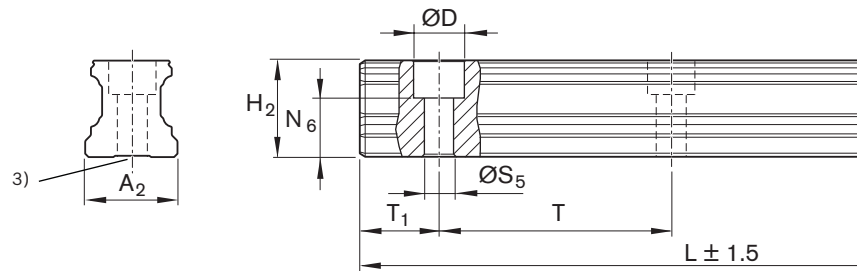
Options:

- ▶ Ball guide rail SNO
- ▶ Size 30
- ▶ Accuracy class H
- ▶ One-piece
- ▶ Rail length

L = 1676 mm

Material number:

R1605 7C3 31, 1676 mm



Size	Dimensions (mm)										Mass m (kg/m)
	A <sub>2</sub>	D	H <sub>2</sub> <sup>1)</sup>	L <sub>max</sub>	N <sub>6</sub> <sup>±0.5</sup>	S <sub>5</sub>	T	T <sub>1 min</sub>	T <sub>1S</sub> <sup>2)</sup>	T <sub>1 max</sub>	
<b>15</b>	15	7.4	16.20	3 836	10.3	4.5	60	10	28.0	50	1.4
<b>20</b>	20	9.4	20.55	5 816	13.2	6.0	60	10	28.0	50	2.4
<b>25</b>	23	11.0	24.25	5 816	15.2	7.0	60	10	28.0	50	3.2
<b>30</b>	28	15.0	28.35	5 836	17.0	9.0	80	12	38.0	68	5.0
<b>35</b>	34	15.0	31.85	5 836	20.5	9.0	80	12	38.0	68	6.8
<b>45</b>	45	20.0	39.85	5 771	23.5	14.0	105	16	50.5	89	10.5
<b>55</b>	53	24.0	47.85	3 836	29.0	16.0	120	18	58.0	102	16.2
<b>65</b>	63	26.0	59.85	3 746	38.5	18.0	150	20	73.0	130	22.4

- 1) Dimension H<sub>2</sub> without cover strip
- 2) Preferred dimension T<sub>1S</sub> with tolerances ± 0.75 recommended.
- 3) Ball guide rails SNO with smooth base surface (without base groove).